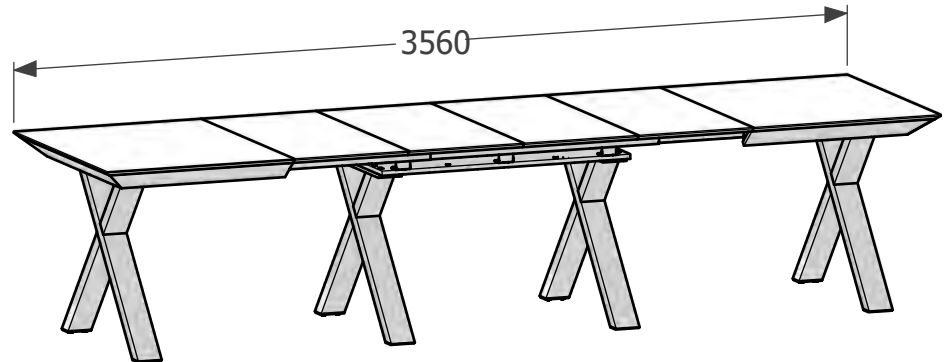
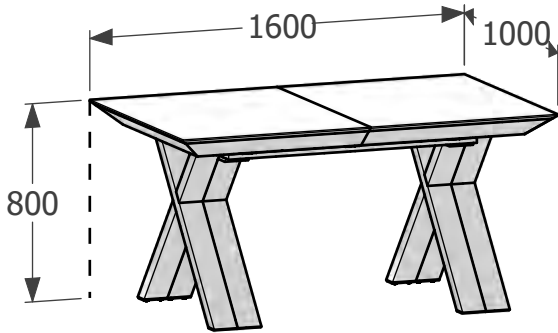
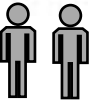
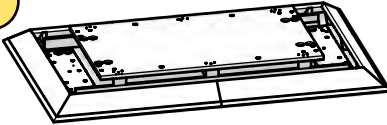

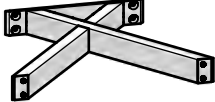
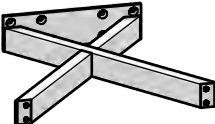

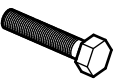
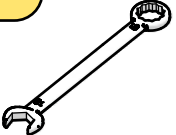




15 MIN



<p>01</p>  <p>X 1</p>	<p>02</p> <p>Insert</p>  <p>X 4</p>	<p>03</p> <p>Small leg</p>  <p>X 2</p>	
<p>04</p> <p>Big leg</p>  <p>X 2</p>	<p>05</p> <p>Washer M8</p>  <p>X 20</p>	<p>06</p> <p>Bolt M8x30</p>  <p>X 20</p>	<p>K</p> <p>Spanner 13</p>  <p>X 1</p>

Assembling order



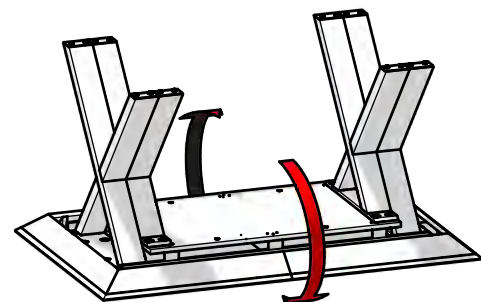
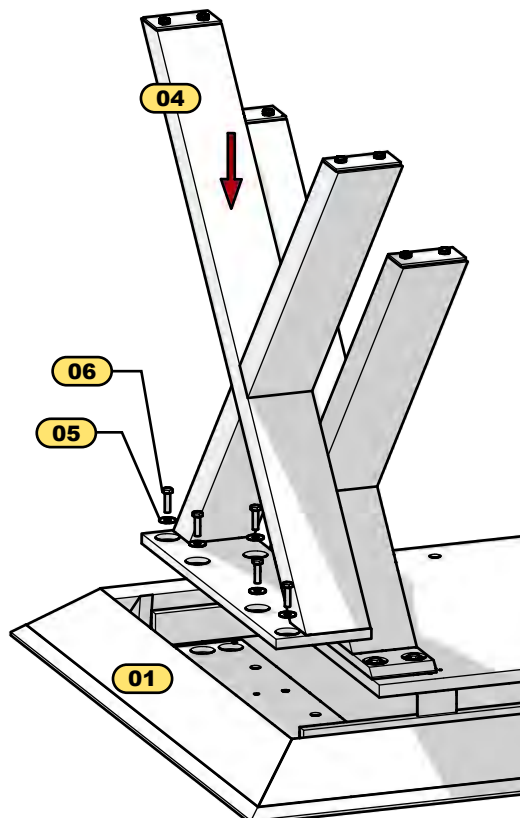
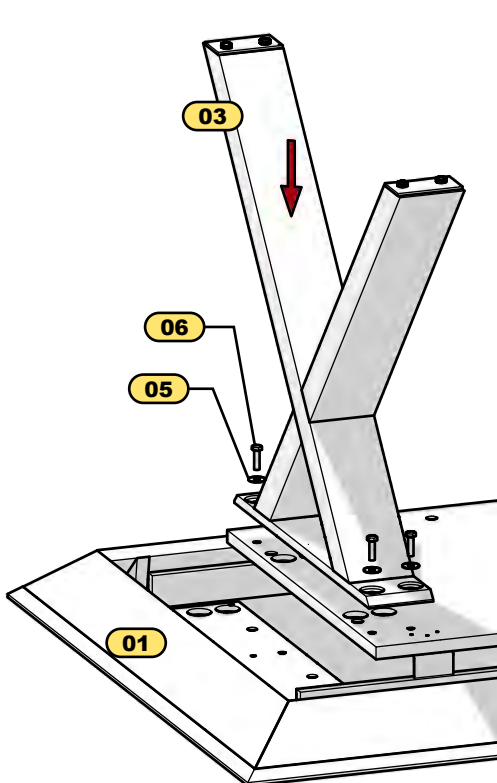
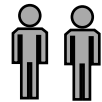
1 Fasten the small legs to the table base with the bolts and washers provided (4 washers and 4 bolts per 1 leg). Use the spanner provided.



2 Fasten the big legs to the table plate with the bolts and washers provided (6 washers and 6 bolts per 1 leg). Use the spanner provided.



3 With helper turn the table over onto its legs. Don't do it alone!

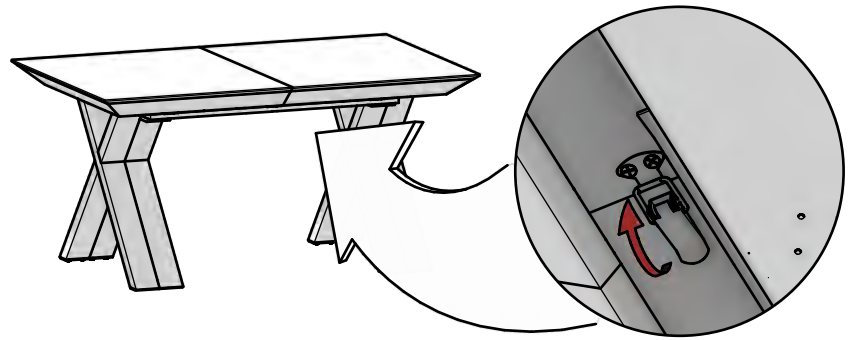


Folding/unfolding of the table

1

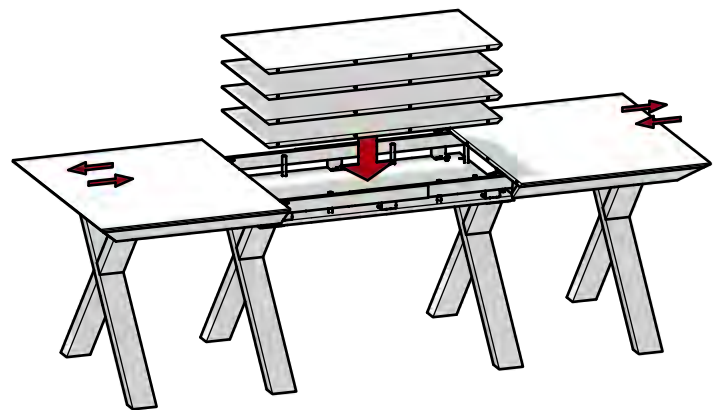
After assembling the table:

- place the table on a flat floor
- unlock 2 locks on the tabletop from below



2

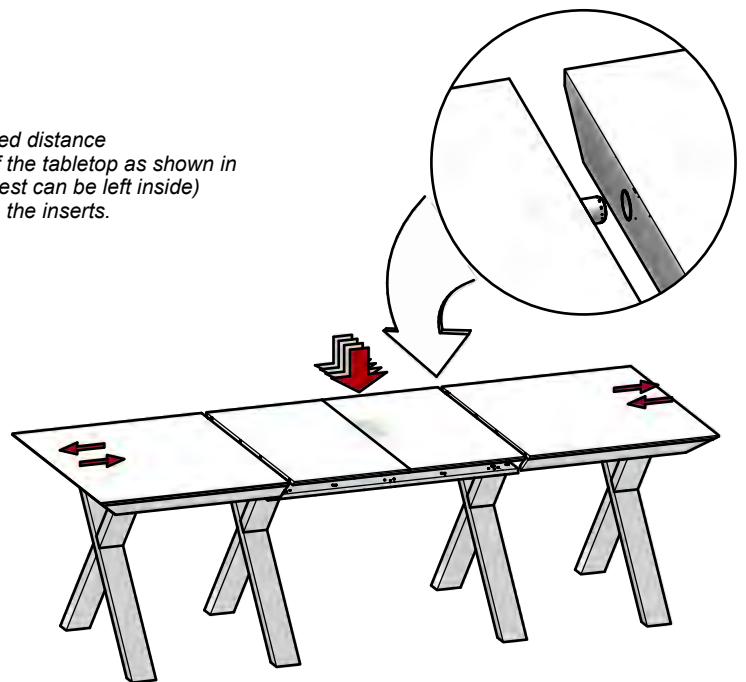
- easily lifting the edges of the tabletop, undraw the halves of the tabletop to the required distance
- place the unpacked inserts inside the table
- easily lifting the halves of the tabletop together and fasten the locks on the tabletop from below



3

To unfolding the table with inserts:

- unlock 2 locks on the tabletop from below
- easily lifting and undraw the halves of the tabletop to the required distance
- insert the required number of inserts between the two halves of the tabletop as shown in the picture (you can insert from 1 upto 4 inserts as needed, the rest can be left inside)
- easily lifting and slide the halves of the tabletop to the stop with the inserts.



4

- To folding the table, perform the steps in point 3 in reverse order.