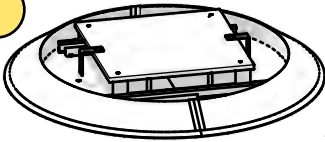




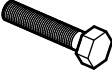

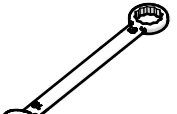
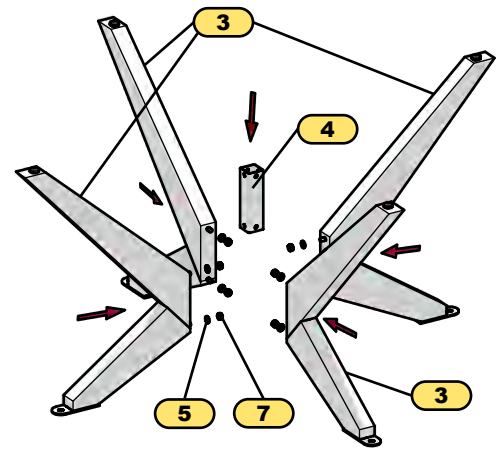


1  X 1	2  X 2	3  X 4	4  X 1
5  X 4	6  X 4	7  X 8	K  X 1

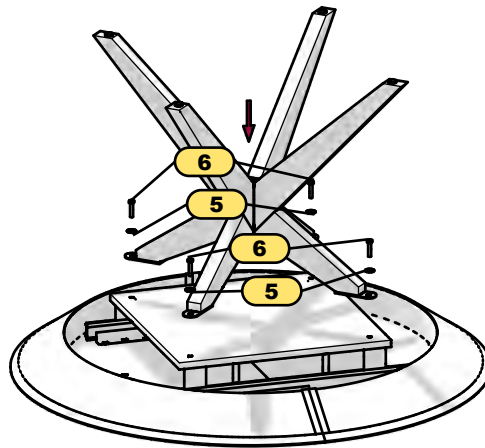
Assembly Steps



Screw the legs 3 to the metal square 4 with nuts 7 and washers 5. Do not tighten too tightly.



Screw the connected legs to the tabletop with bolts 6 with washers 5. Then tighten the nuts 7 in the metal square 4.



Turn the table upside down with a helper. Don't do this alone!

